

DATA SHEET

For a complete data sheet, please also download:

- The IC04 LOCMOS HE4000B Logic Family Specifications HEF, HEC
- The IC04 LOCMOS HE4000B Logic Package Outlines/Information HEF, HEC

HEF40163B

MSI

4-bit synchronous binary counter
with synchronous reset

Product specification
File under Integrated Circuits, IC04

January 1995

4-bit synchronous binary counter with synchronous reset

**HEF40163B
MSI**

DESCRIPTION

The HEF40163B is a fully synchronous edge-triggered 4-bit binary counter with a clock input (CP), four synchronous parallel data inputs (P₀ to P₃), four synchronous mode control inputs (parallel enable (\overline{PE}), count enable parallel (CEP), count enable trickle (CET) and synchronous reset (\overline{SR})), buffered outputs from all four bit positions (O₀ to O₃) and a terminal count output (TC).

Operation is fully synchronous and occurs on the LOW to HIGH transition of CP. When \overline{PE} is LOW, the next LOW to HIGH transition of CP loads data into the counter from P₀ to P₃. When \overline{PE} is HIGH, the next LOW to HIGH

transition of CP advances the counter to its next state only if both CEP and CET are HIGH; otherwise no change occurs in the state of the counter. TC is HIGH when the state of the counter is 15 (O₀ to O₃ = HIGH) and when CET is HIGH. A LOW on \overline{SR} sets all outputs (O₀ to O₃ and TC) LOW on the next LOW to HIGH transition of CP, independent of the state of all other synchronous mode control inputs (CEP, CET and \overline{PE}). Multistage synchronous counting is possible without additional components by using a carry look-ahead counting technique; in this case, TC is used to enable successive cascaded stages. CEP, CET, \overline{PE} and \overline{SR} must be stable only during the set-up time before the LOW to HIGH transition of CP.

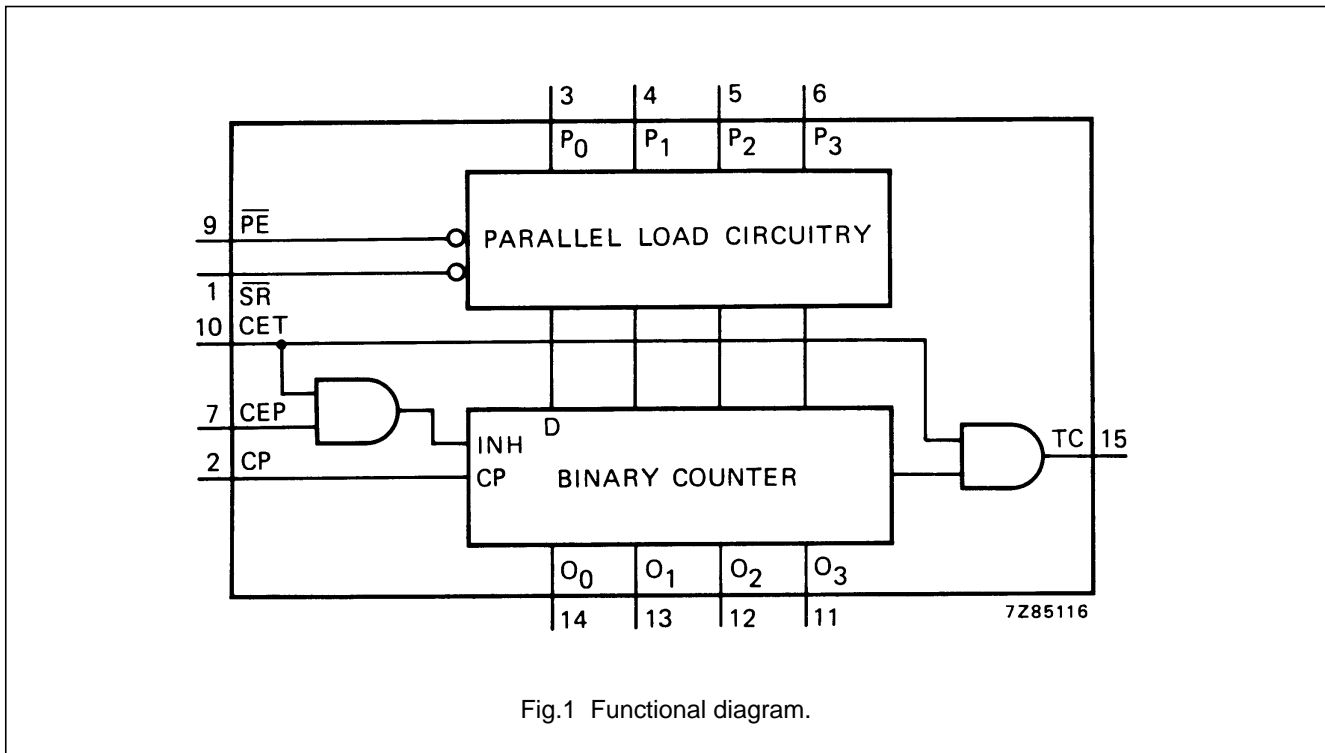


Fig.1 Functional diagram.

FAMILY DATA, I_{DD} LIMITS category MSI

See Family Specifications

4-bit synchronous binary counter with synchronous reset

HEF40163B
MSI

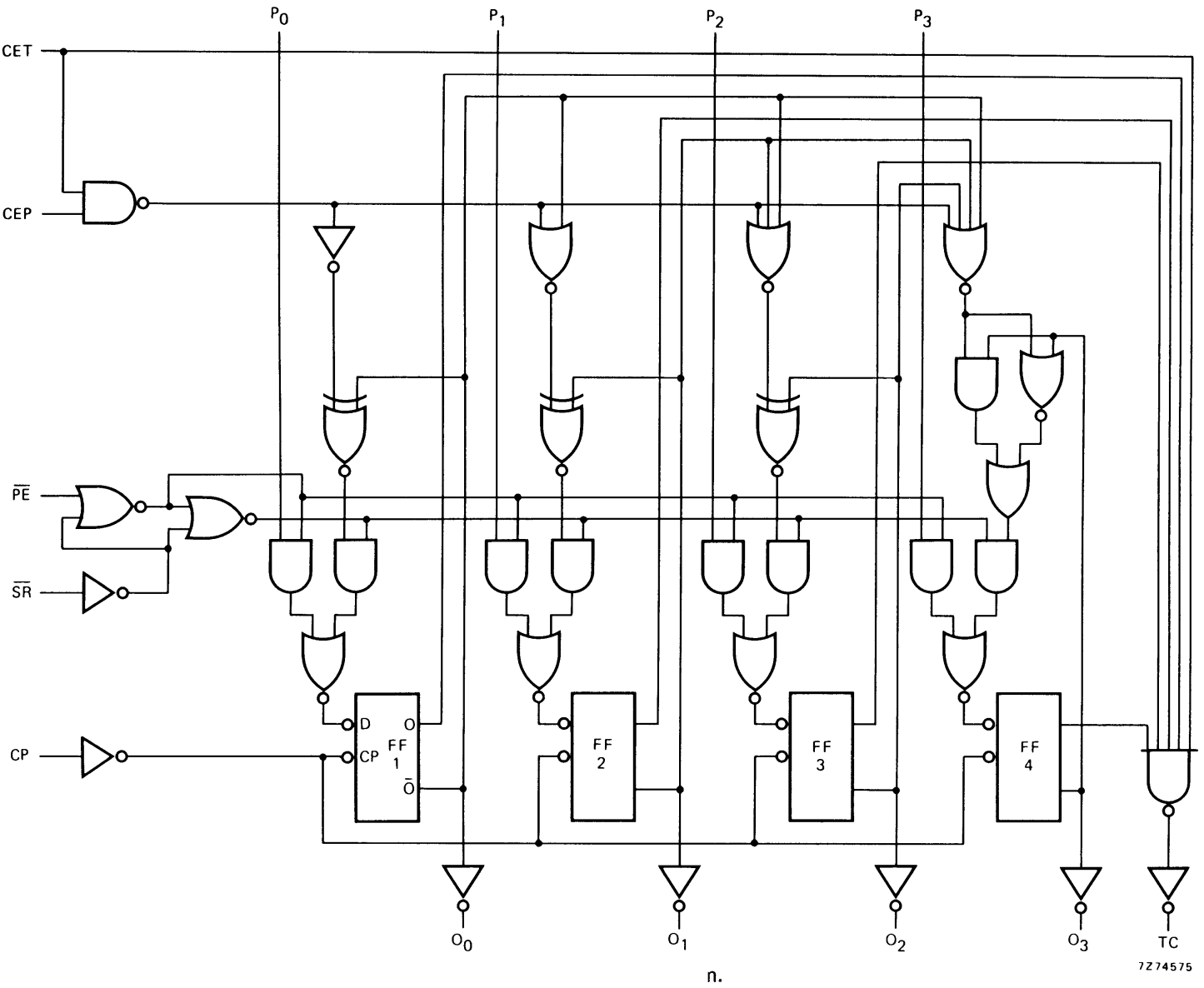
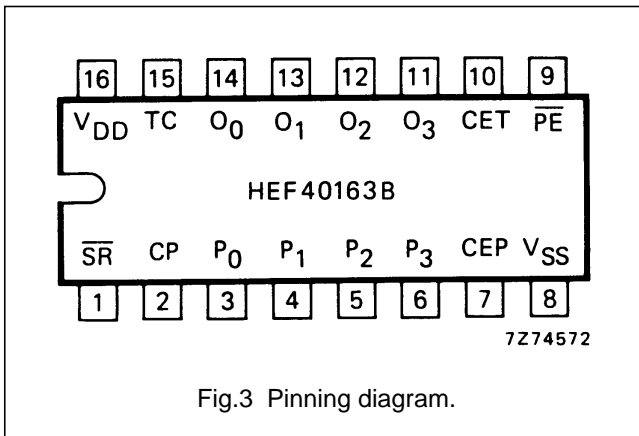


Fig.2 Logic diagram.

4-bit synchronous binary counter with synchronous reset

HEF40163B
MSI



PINNING

- \overline{PE} parallel enable input
- P_0 to P_3 parallel data inputs
- CEP count enable parallel input
- CET count enable trickle input
- CP clock input (LOW to HIGH, edge-triggered)
- \overline{SR} synchronous reset input (active LOW)
- O_0 to O_3 parallel outputs
- TC terminal count output

HEF40163BP(N): 16-lead DIL; plastic (SOT38-1)
 HEF40163BD(F): 16-lead DIL; ceramic (cerdip) (SOT74)
 HEF40163BT(D): 16-lead SO; plastic (SOT109-1)
 (): Package Designator North America

SYNCHRONOUS MODE SELECTION

\overline{SR}	\overline{PE}	CEP	CET	MODE
H	L	X	X	preset
H	H	L	X	no change
H	H	X	L	no change
H	H	H	H	count
L	X	X	X	reset

Notes

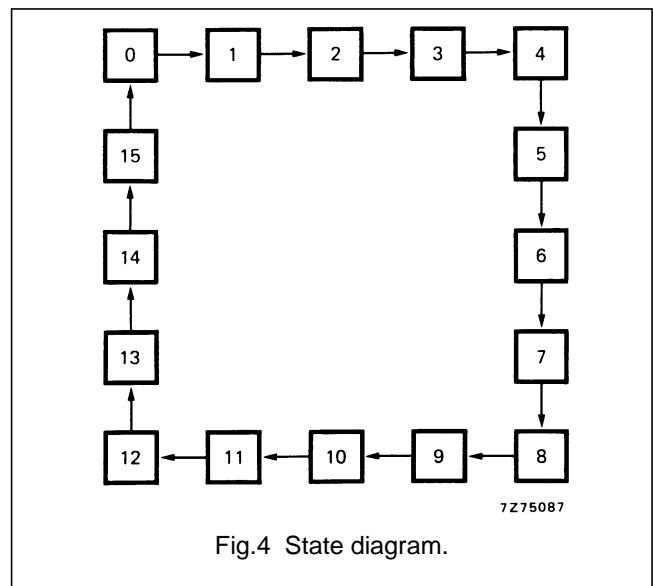
1. H = HIGH state (the more positive voltage)
2. L = LOW state (the less positive voltage)
3. X = state is immaterial

TERMINAL COUNT GENERATION

CET	$(O_0 \cdot O_1 \cdot O_2 \cdot O_3)$	TC
L	L	L
L	H	L
H	L	L
H	H	H

Note

1. $TC = CET \cdot O_0 \cdot O_1 \cdot O_2 \cdot O_3$



4-bit synchronous binary counter with synchronous reset

HEF40163B MSI

AC CHARACTERISTICS

$V_{SS} = 0$ V; $T_{amb} = 25$ °C; input transition times ≤ 20 ns

	V_{DD} V	TYPICAL FORMULA FOR P (μ W)	
Dynamic power dissipation per package (P)	5	$1\,200 f_i + \sum (f_o C_L) \times V_{DD}^2$	where f_i = input freq. (MHz) f_o = output freq. (MHz) C_L = load capacitance (pF) $\sum (f_o C_L)$ = sum of outputs V_{DD} = supply voltage (V)
	10	$5\,600 f_i + \sum (f_o C_L) \times V_{DD}^2$	
	15	$16\,000 f_i + \sum (f_o C_L) \times V_{DD}^2$	

AC CHARACTERISTICS

$V_{SS} = 0$ V; $T_{amb} = 25$ °C; $C_L = 50$ pF; input transition times ≤ 20 ns

	V_{DD} V	SYMBOL	MIN.	TYP.	MAX.	TYPICAL EXTRAPOLATION FORMULA	
Propagation delays CP \rightarrow O _n HIGH to LOW	5	t_{PHL}		110	220	ns	83 ns + (0,55 ns/pF) C_L
	10		45	90	ns	34 ns + (0,23 ns/pF) C_L	
	15		30	60	ns	22 ns + (0,16 ns/pF) C_L	
LOW to HIGH	5	t_{PLH}		115	230	ns	88 ns + (0,55 ns/pF) C_L
	10		45	95	ns	34 ns + (0,23 ns/pF) C_L	
	15		35	65	ns	27 ns + (0,16 ns/pF) C_L	
CP \rightarrow TC HIGH to LOW	5	t_{PHL}		130	260	ns	103 ns + (0,55 ns/pF) C_L
	10		55	105	ns	44 ns + (0,23 ns/pF) C_L	
	15		35	75	ns	27 ns + (0,16 ns/pF) C_L	
LOW to HIGH	5	t_{PLH}		140	280	ns	113 ns + (0,55 ns/pF) C_L
	10		55	115	ns	44 ns + (0,23 ns/pF) C_L	
	15		40	80	ns	32 ns + (0,16 ns/pF) C_L	
CET \rightarrow TC HIGH to LOW	5	t_{PHL}		105	210	ns	78 ns + (0,55 ns/pF) C_L
	10		50	100	ns	39 ns + (0,23 ns/pF) C_L	
	15		35	75	ns	27 ns + (0,16 ns/pF) C_L	
LOW to HIGH	5	t_{PLH}		90	185	ns	63 ns + (0,55 ns/pF) C_L
	10		35	70	ns	24 ns + (0,23 ns/pF) C_L	
	15		25	50	ns	17 ns + (0,16 ns/pF) C_L	
Output transition times HIGH to LOW	5	t_{THL}		60	120	ns	10 ns + (1,0 ns/pF) C_L
	10		30	60	ns	9 ns + (0,42 ns/pF) C_L	
	15		20	40	ns	6 ns + (0,28 ns/pF) C_L	
LOW to HIGH	5	t_{TLH}		60	120	ns	10 ns + (1,0 ns/pF) C_L
	10		30	60	ns	9 ns + (0,42 ns/pF) C_L	
	15		20	40	ns	6 ns + (0,28 ns/pF) C_L	

4-bit synchronous binary counter with
synchronous reset

HEF40163B
MSI

AC CHARACTERISTICS

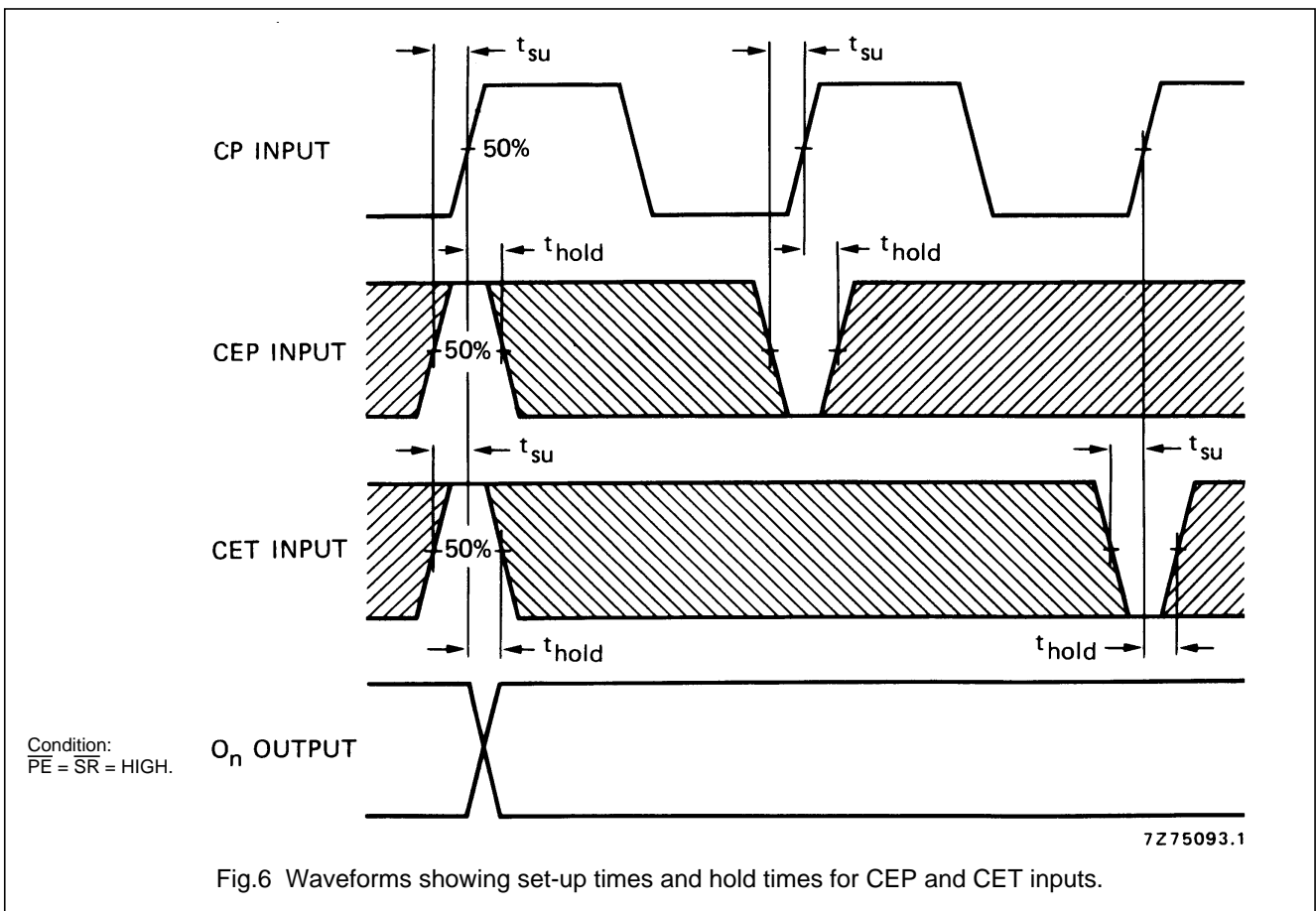
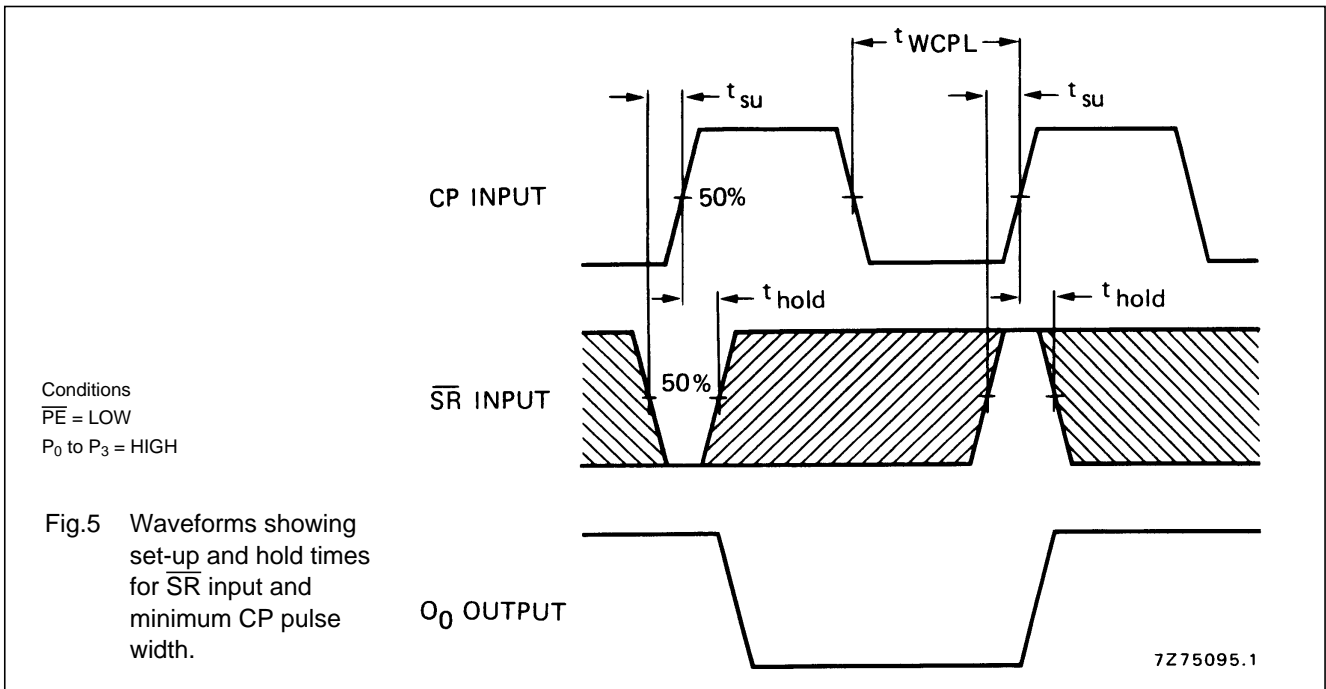
$V_{SS} = 0\text{ V}$; $T_{amb} = 25\text{ }^\circ\text{C}$; $C_L = 50\text{ pF}$; input transition times $\leq 20\text{ ns}$

	V_{DD} V	SYMBOL	MIN.	TYP.	MAX.
Minimum clock pulse width; LOW	5	t_{WCPL}	100	50	ns
	10		40	20	ns
	15		30	15	ns
Set-up times $P_n \rightarrow CP$	5	t_{su}	110	55	ns
	10		40	20	ns
	15		30	15	ns
$\overline{PE} \rightarrow CP$	5	t_{su}	120	60	ns
	10		40	20	ns
	15		25	10	ns
CEP, CET \rightarrow CP	5	t_{su}	260	130	ns
	10		100	50	ns
	15		70	35	ns
$\overline{SR} \rightarrow CP$	5	t_{su}	50	25	ns
	10		20	10	ns
	15		15	10	ns
Hold times $P_n \rightarrow CP$	5	t_{hold}	20	-35	ns
	10		10	-10	ns
	15		5	-10	ns
$\overline{PE} \rightarrow CP$	5	t_{hold}	15	-45	ns
	10		5	-15	ns
	15		5	-10	ns
CEP, CET \rightarrow CP	5	t_{hold}	25	-105	ns
	10		15	-35	ns
	15		10	-25	ns
$\overline{SR} \rightarrow CP$	5	t_{hold}	15	-10	ns
	10		5	-5	ns
	15		5	0	ns
Maximum clock pulse frequency	5	f_{max}	2,5	5	MHz
	10		7	14	MHz
	15		9	18	MHz

see also waveforms
Figs 5, 6, 7 and 8

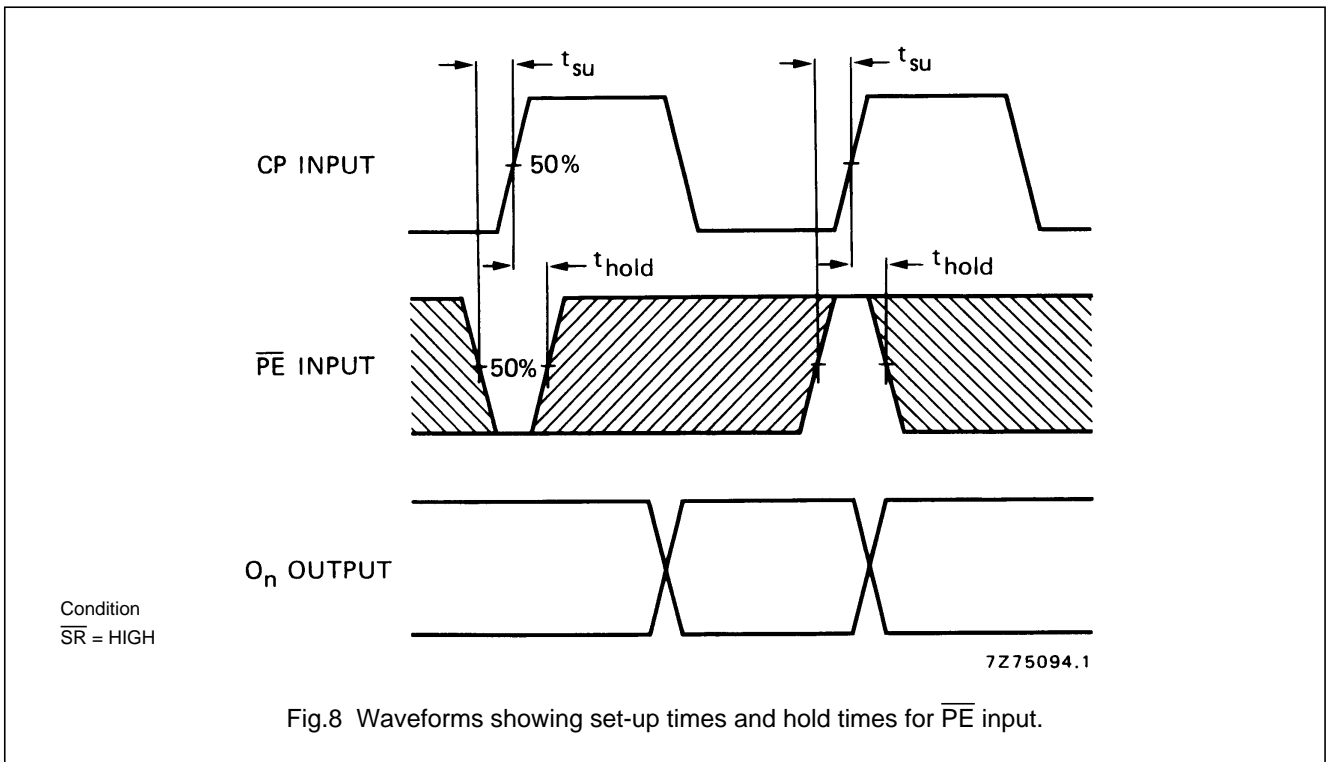
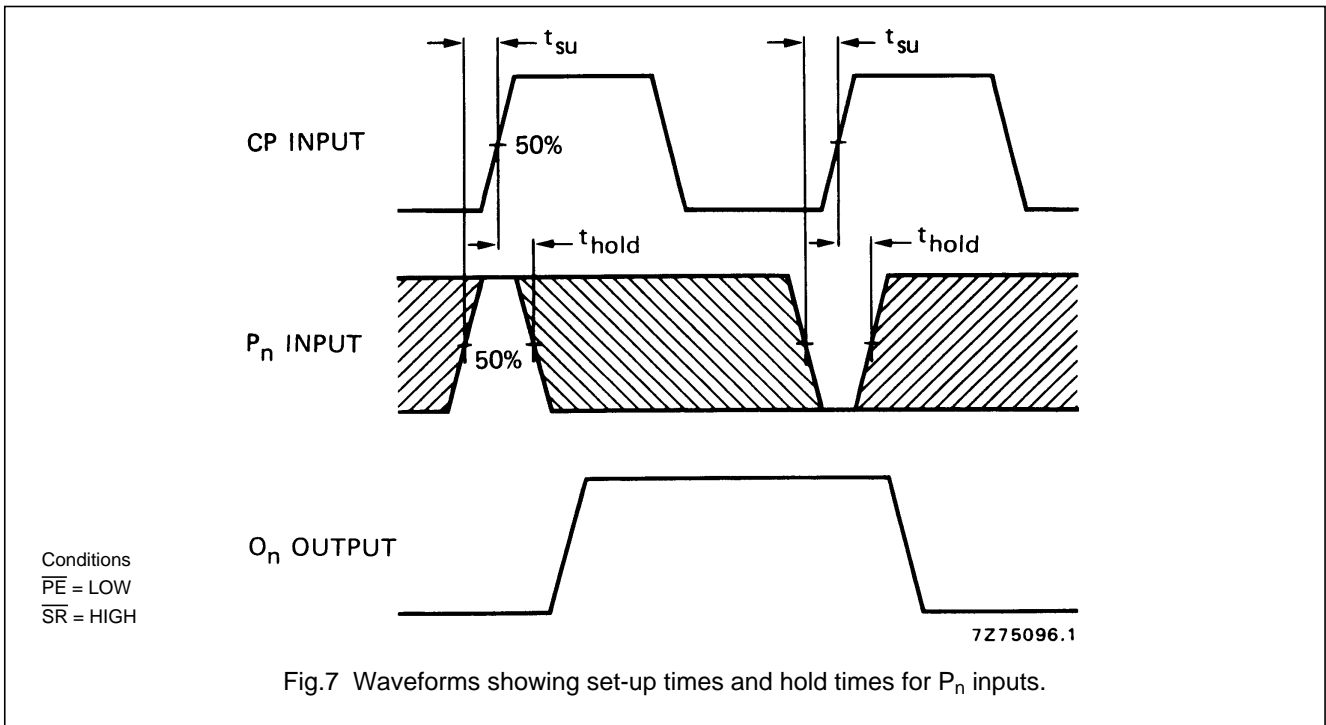
4-bit synchronous binary counter with synchronous reset

HEF40163B
MSI



4-bit synchronous binary counter with synchronous reset

HEF40163B
MSI



Note

Set-up and hold times are shown as positive values but may be specified as negative values.

4-bit synchronous binary counter with
synchronous reset

HEF40163B
MSI

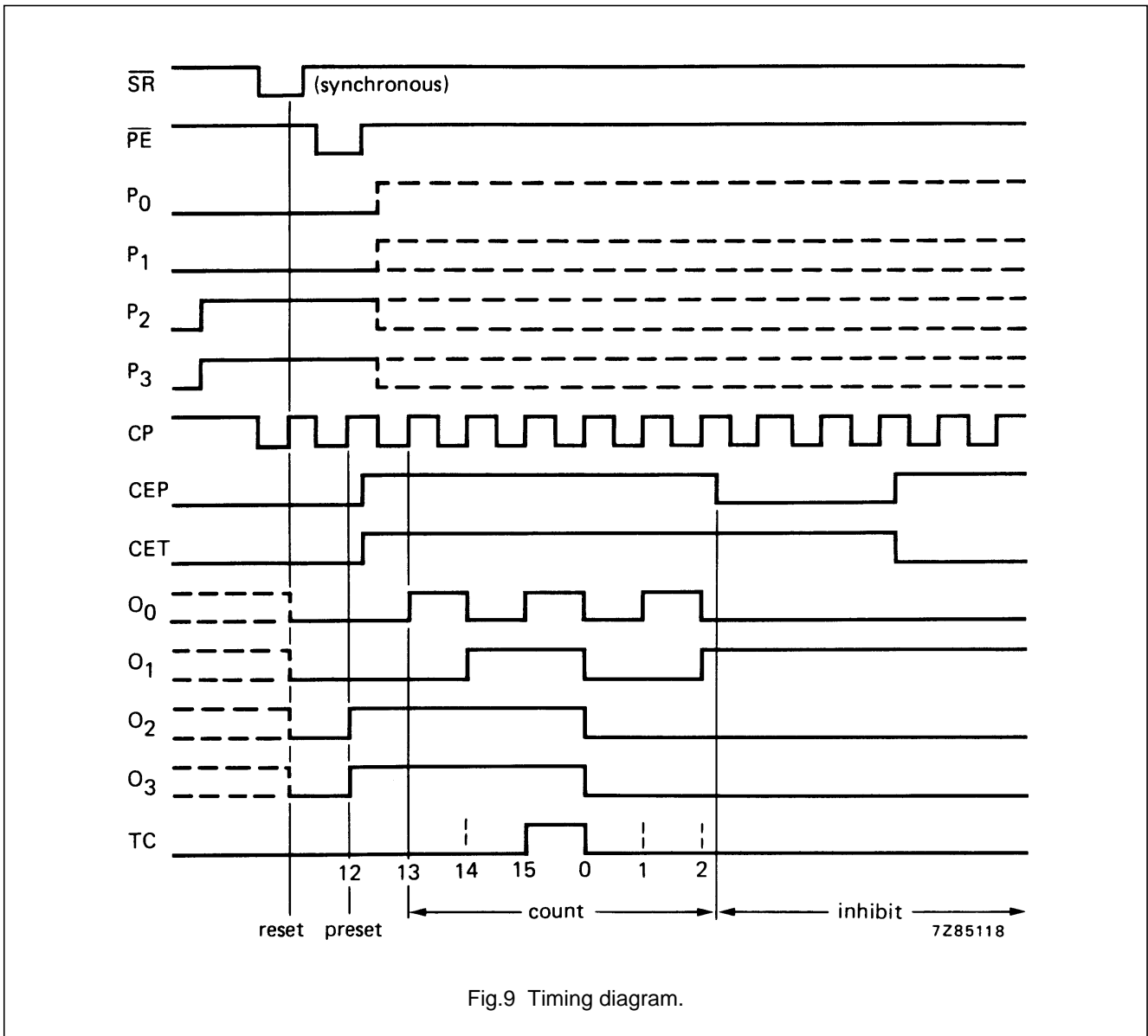


Fig.9 Timing diagram.

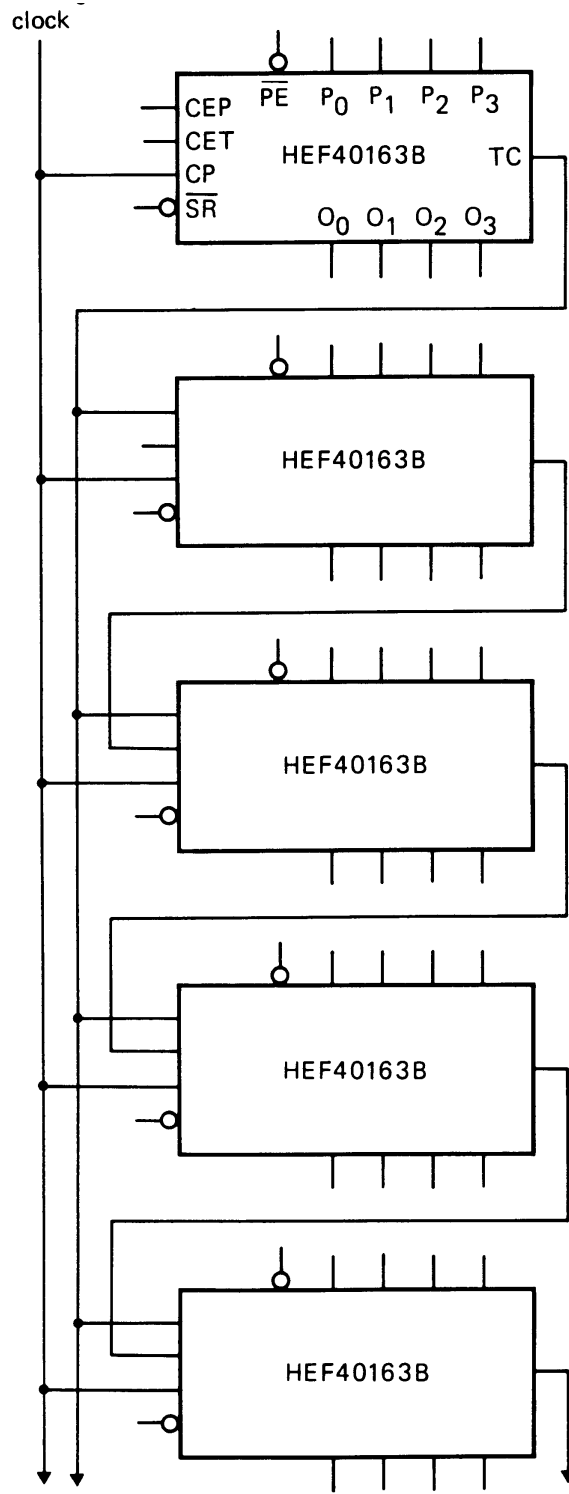
APPLICATION INFORMATION

An example of an application for the HEF40163B is:

- Programmable binary counter.

4-bit synchronous binary counter with synchronous reset

HEF40163B
MSI



NOTE
On the TC outputs, glitches can occur during counting. In totally synchronous mode they will not have any adverse affect. However the TC output in asynchronous mode can cause problems.

7Z85121

Fig.10 Synchronous multi-stage counting scheme.